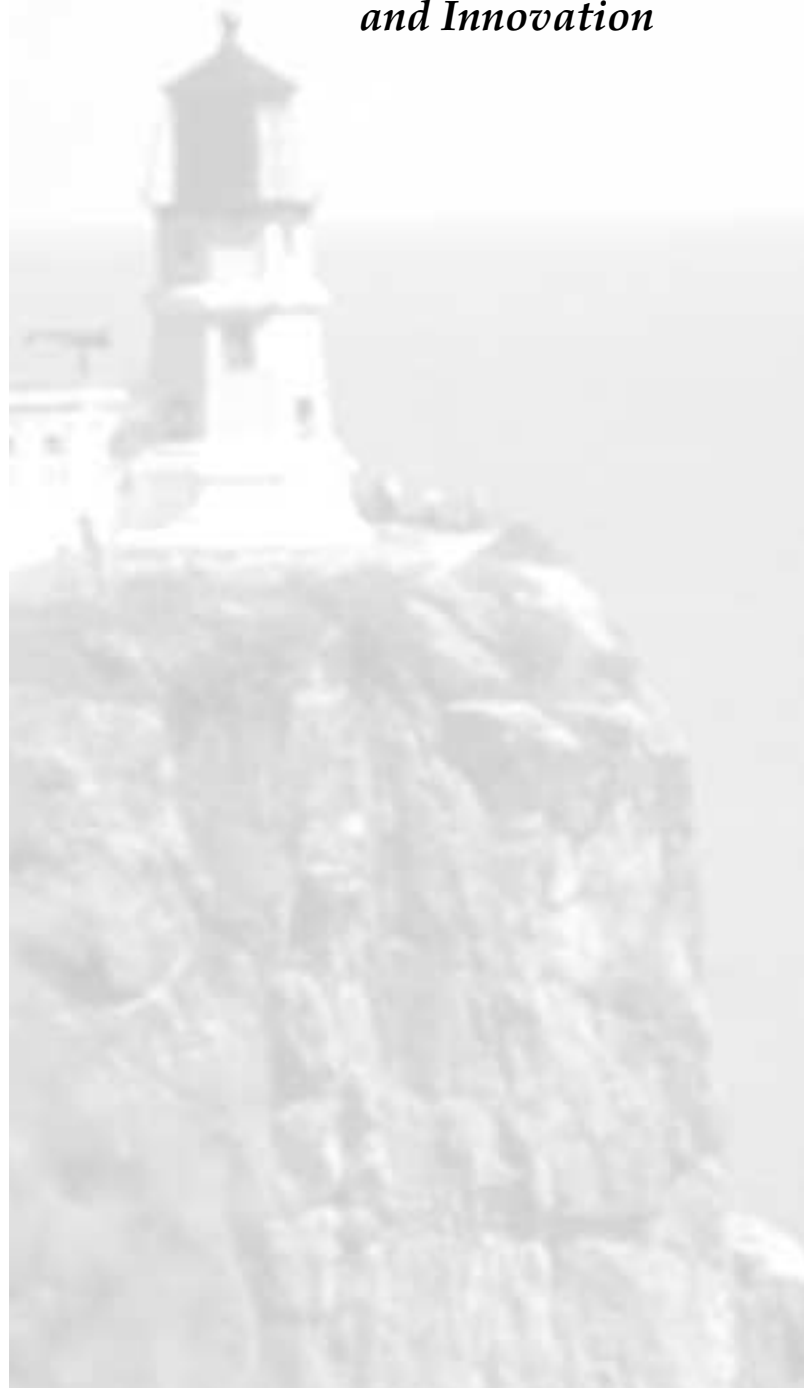




UFE Incorporated

*UFE Incorporated provides
complete custom engineering
and manufacturing services,
from design through
production*

*As featured in Minnesota:
Land of Lakes
and Innovation*



u fe[®]

UNITED FOR EXCELLENCE

UFE INCORPORATED

FOR INDUSTRIAL
CUSTOMERS WHO
REQUIRE PRECISE AND
RELIABLE PRODUCTS,
UFE INCORPORATED
PROVIDES COMPLETE
CUSTOM ENGINEERING
AND MANUFACTURING
SERVICES, FROM
DESIGN THROUGH
PRODUCTION



“Our mission at UFE is to deliver custom engineering and manufacturing services utilizing advanced technologies to our customers worldwide,” says Orville D. Johnson, UFE chairman. “Through continuing innovation we have established UFE as an industry leader that meets the high standards of our customers.”

UFE Incorporated, located in Stillwater, Minnesota, provides product engineering, mold manufacturing, injection molding and contract assembly services to precision oriented customers around the world. UFE began operation in 1953 with three employees in 2,000 square feet of the old Stillwater train depot. As one of the first producers in the world of precision plastic gears,

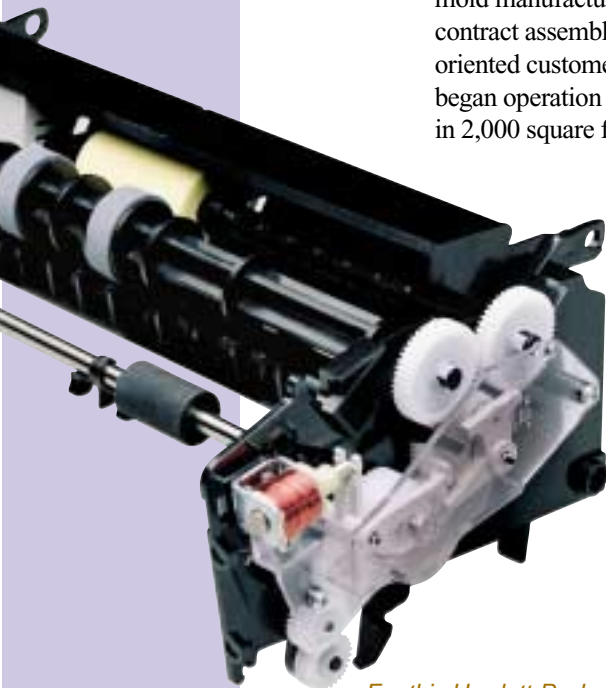
UFE’s early customers included Eastman Kodak, Bell & Howell, and 3M. Through the years UFE’s highly skilled and trained workforce has been the foundation for the company’s continued growth and its enduring reputation as a customer focused innovator. Today UFE’s more than 750

UFE Incorporated’s corporate headquarters is located in Stillwater, Minnesota.

employees work at its facilities in Minnesota, Wisconsin, Texas, Singapore, and Mexico.

To achieve continued growth in an increasingly competitive environment requires a unifying force for clear, strategic direction. UFE’s Concepts for Guidance provides this unifying force. Prominently displayed throughout the organization, this statement of basic concepts creates quality through method as UFE pursues its mission and expands its vision to reach its goal of industry leadership and rewarding employment opportunities for its workforce. UFE’s unified methodologies, developed over forty-five years of experience, become the company’s core strength for managing and delivering large, complex programs for customers such as 3M, Becton Dickinson, Delphi, Hewlett Packard, IBM, S. C. Johnson, and Thomson Consumer Electronics.

Providing top-notch, quality service to these and all other customers is paramount to UFE’s strategic business units - Product Engineering, Mold Manufacturing, Injection Molding, and Contract Assembly.



For this Hewlett-Packard inkjet printer media chassis, UFE Incorporated provided design assistance, plastic part production, and final assembly.

UFE Product Engineering

provides complete mechanical and electromechanical product design services with focus on manufacturability and reliability. With extensive experience in designing products in ways that enable concurrent manufacturing, UFE's Product Engineering business assists customers in improving cost and time to market.

UFE Mold Manufacturing

is a technology leader in engineering, manufacturing, and developing precision injection molds. This business unit was a pioneer in the application of computer-aided mold design linked to machining processes. UFE Mold Manufacturing's strength, enhanced by a total company experience in molding processes and materials, provides unique technical capabilities to support its customers.

UFE Injection Molding

employs an extensive depth and breadth of experience in worldwide production of precision thermo-plastic components for OEMs in a variety of demanding industries. This UFE business unit works with all engineering grade resins and specializes in fine tolerance components, custom precision gears, and complex insert molded components.

UFE Contract Assembly

is a total responsibility resource for customers requiring subsystem or complete product assemblies. It responds and adapts to its customer's needs by providing component sourcing, logistics management, production process development, and ongoing production.

While each UFE business unit provides a unique service, customers often combine services to obtain a seamless progression from product concept to final assembly. Selecting any or all of the services offered by UFE adds

a dimension of versatility to a customer's capabilities.

Using UFE to augment their engineering and manufacturing capacity allows the customer to focus on their own core competencies and on meeting the needs of their marketplace.



Top: Example of precision gear transmission produced by UFE Incorporated.

Above: "Hands-on" product design provides capable results.

To further support their customer's capabilities and growth, UFE has long been committed to maintaining the highest possible quality standards. Evidence of this commitment can be found in UFE's numerous quality certifications and accreditations including ISO-9001, ISO-9002, QS-9000, Ford-Q1, FDA/QSR, CE and the GM Mark of Excellence.

The future of UFE will be driven by the foundations of excellence established at the company's very beginning. UFE's central values are, and will continue to be, the key element of its Concepts for Guidance. UFE's commitment to quality, continuous improvement, economy, and productivity provides the customer a solid economic value. UFE understands that its keystone value of customer satisfaction ultimately depends upon achieving relationships where all parties benefit. And all of UFE's vital stakeholders - customers, suppliers, employees, and investors - enjoy a relationship supported by values of fairness, fulfillment, teamwork, and citizenship.

Regarding UFE Incorporated's plans for the future, Martin N. Kellogg, president, states: "Our final value is one of durability in all that we do. UFE's stakeholders desire to be united for excellence over the long term. Thus we invest today in each other for a mutually rewarding future."



UFE Incorporated

1850 South Greeley Street
P.O. Box 7
Stillwater, MN 55082-0007

Tel: 1-651-351-4100 • Fax: 1-651-351-4101 • E-Mail: ask@ufeinc.com
Web Site: www.ufeinc.com

UFE Pte Ltd

No. 5 Joo Koon Way
Jurong
Singapore 628944

Tel: (65) 861-2466 • Fax: (65) 862-0252 • E-Mail: sales@ufepl.com.sg

PRODUCT ENGINEERING • MOLD MANUFACTURING • INJECTION MOLDING • CONTRACT ASSEMBLY